

MFA in Republic and Canton of Geneva (Switzerland)

Prof. Suren Erkman, Industrial Ecology Group, University of Lausanne



Republic and Canton of Geneva: Law introducing industrial ecology

Local Agenda 21 (2001):

«Law on public action towards sustainable development»

- adopted 23 March 2001**
- entered into force 19 May 2001**
- revised in November 2002**

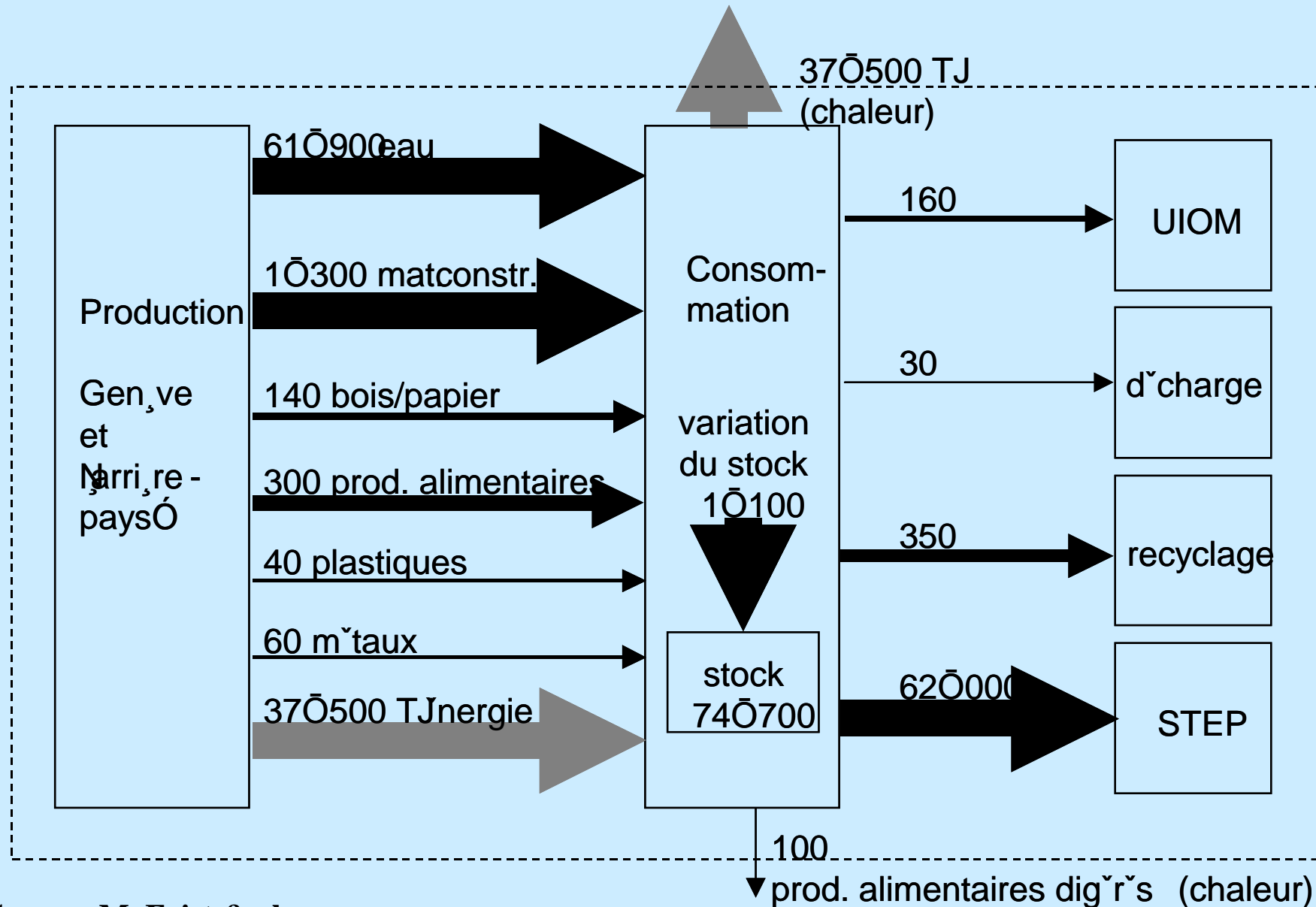
Geneva Local Agenda 21 (established in 2001):

«Law on public action for sustainable development»

Article 12:

«The State facilitates possible synergies between economic activities in order to minimize their environmental impacts.»

Metabolism of Geneva Canton (2000; units: kt)



Source: M. Faist & al.

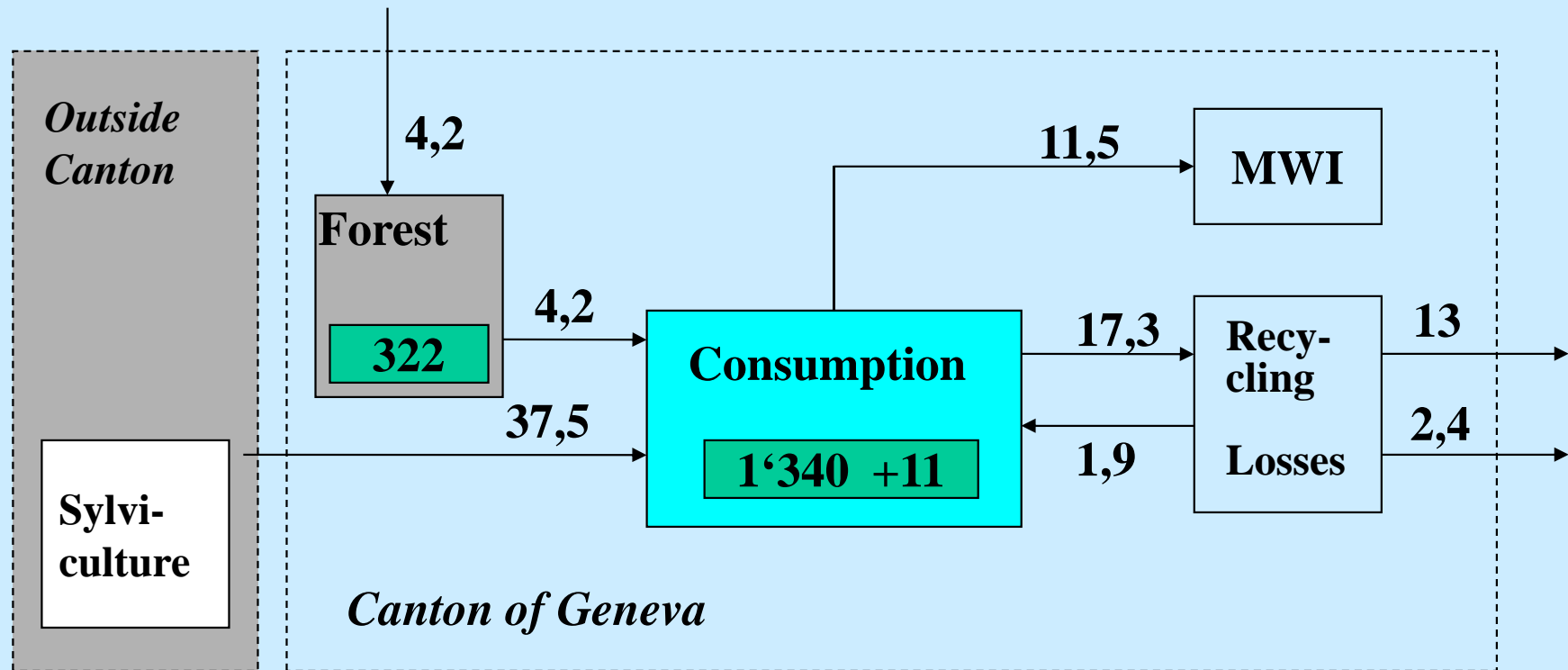
Resource consumption: relative importance of sectors

	Sector 1	Sector 2	Sector 3	House- holds
Water	6%	25%	27%	42%
Energy (heat)	3%	10%	30%	57%
Energy (electr.)	3%	12%	60%	25%
Metals (iron)	2%	13%	40%	45%
Wood	2%	26%	35%	36%
Plastics	2%	10%	39%	49%
Building Materials	2%	6%	43%	49%
Food	n.a.	4%	45%	51%

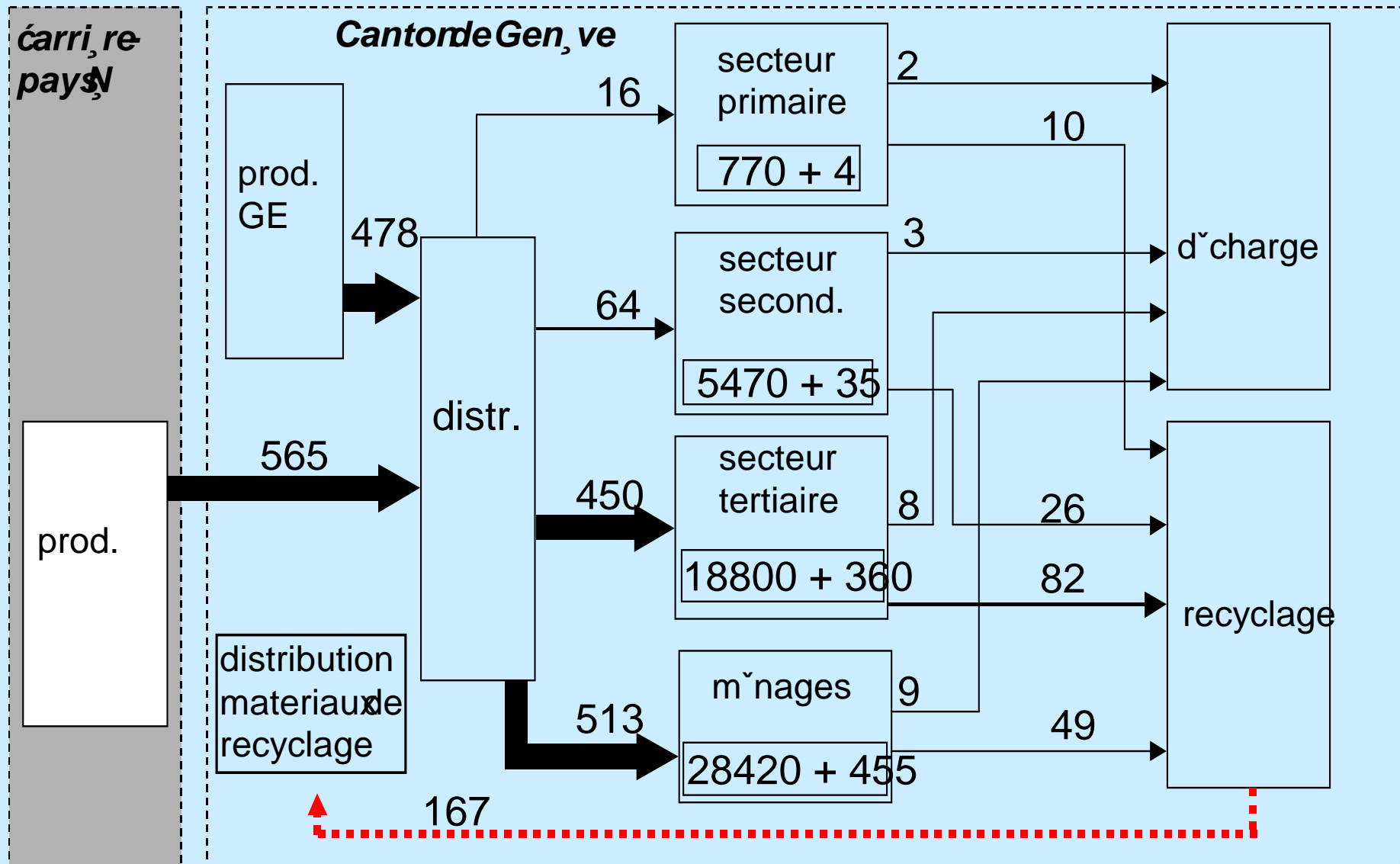
Source: M. Feist & al.

Wood

(Thousands of tons per year, 2000)



Geneva Canton: Flows of concrete (in kt, 2000)



Communicating with stakeholders: wall with recycled gravel



Source: D. Chambaz